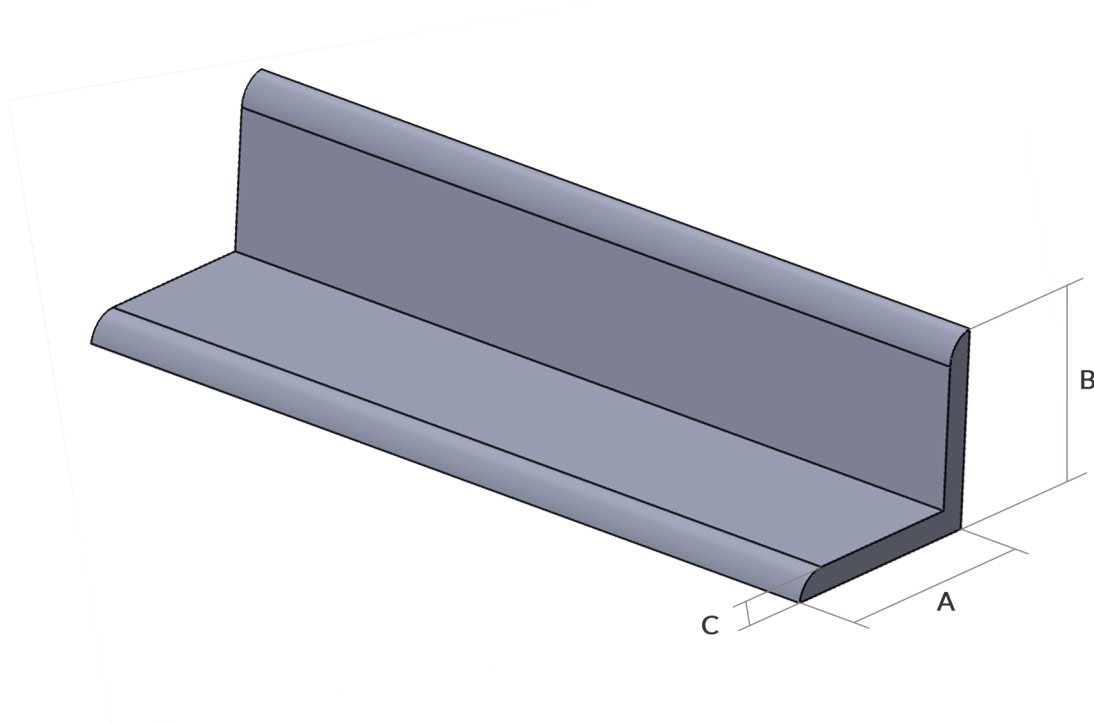


L-TYPE

RIGHT ANGLE

PART NO.	BASE WIDTH (A)		HEIGHT (B)		THICKNESS (C)	
	IN	MM	IN	MM	IN	MM
L001	11/16	17.46	3/16	4.76	1/16	1.59
L002	1	25.4	1	25.4	1/8	3.18
L003	3/4	19.05	1/4	6.35	1/8	3.18
L004	3/4	19.05	1/2	12.7	3/16	4.76
L005	9/16	14.29	9/16	14.29	1/16	1.59
L006	1 1/2	38.1	3/4	19.05	1/8	3.18
L007	7/16	11.11	7/16	11.11	1/16	1.59
L008	1 1/4	31.75	1 1/8	28.58	1/8	3.18
L009	1	25.4	7/16	11.11	1/8	3.18
L010	7/8	22.23	7/8	22.23	1/8	3.18



L-TYPE

ANGLE

PART NO.	BASE WIDTH (A)		HEIGHT (B)		THICKNESS (C)	
	IN	MM	IN	MM	IN	MM
L051	1 1/2	38.1	1	25.4	3/16	4.76
L052	1/8	3.18	7/64	2.78	1/50	0.51
L053	23/32	18.26	31/64	12.3	1/4	6.35
L054	1	31.35	35/64	13.89	3/16	4.76
L055	15/64	9.53	1/4	6.35	1/16	1.59
L056	3/8	4.76	7/16	11.11	1/4	6.35
L057	3/16	34.93	3/4	19.05	1/4	6.35
L058	1 3/8	15.08	17/32	13.49	1/8	3.18
L059	19/32	34.93	3/4	19.05	1/4	6.35
L060	1 3/8	15.88	3/8	9.53	1/8	3.18
L061	5/8	5.16	7/64	2.78	1/32	0.79
L062	13/64	38.1	1	25.4	3/16	4.76
L063	1 1/2	25.4	7/16	11.11	1/8	3.18

