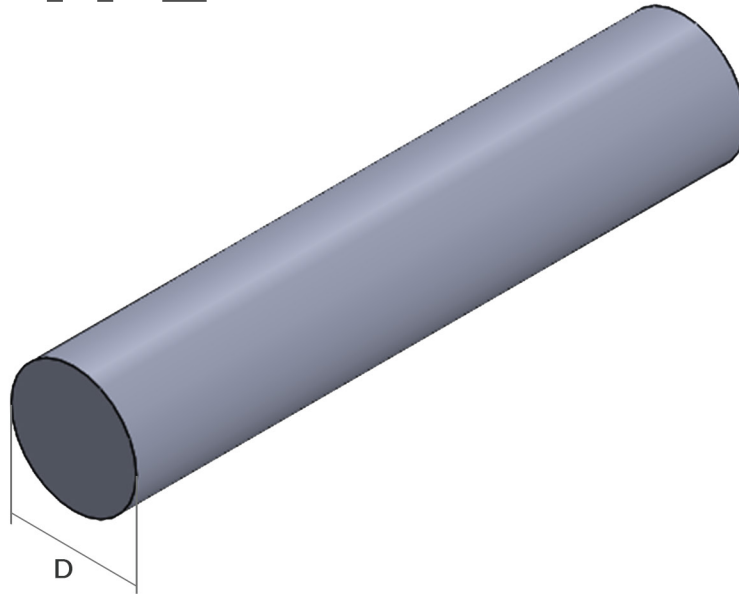


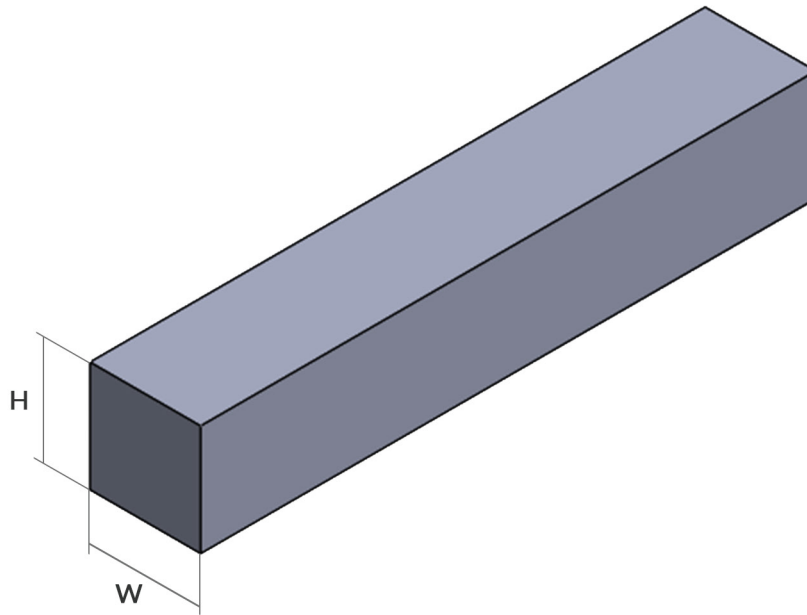
# SOLID TYPE



## CIRCULAR

PART NO.	DIAMETER		PART NO.	DIAMETER	
	IN	MM		IN	MM
R001	4/57	1.78	R018	2/5	10
R002	3/32	2.38	R019	4/9	11.11
R003	1/10	2.62	R020	1/2	12
R004	1/8	3	R021	1/2	12.7
R005	1/8	3.18	R022	5/8	15.88
R006	1/6	3.97	R023	2/3	18
R007	1/7	3.53	R024	3/4	19.05
R008	1/6	4	R025	7/9	20
R009	1/5	4.76	R026	7/8	22.23
R010	1/5	5	R027	1	25.4
R011	1/5	5.33	R028	1 1/6	30
R012	1/4	6	R029	1 1/4	31.75
R013	1/4	6.35	R030	1 3/8	35
R014	1/4	6.99	R031	1 1/2	38.1
R015	1/3	7.94	R032	1 4/7	40
R016	1/3	9	R033	2	50.8
R017	3/8	9.53	R034	3	76.2
			R035	4	101.6

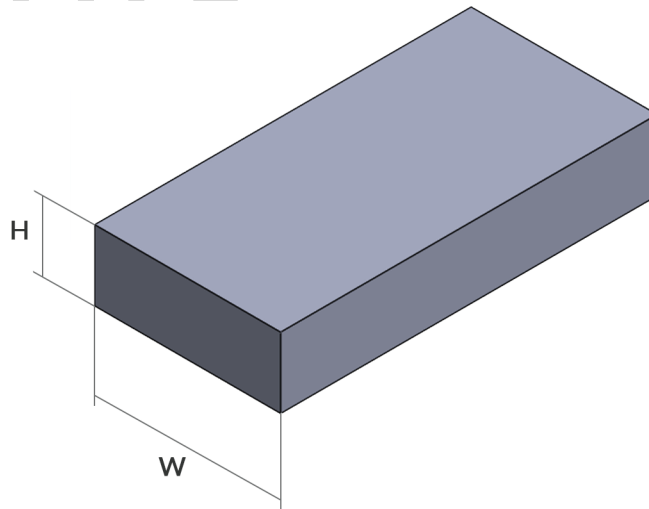
# SOLID TYPE



## SQUARE

PART NO.	OVERALL WIDTH		OVERALL HEIGHT	
	IN	MM	IN	MM
SQ001	1/5	4.76	1/5	4.76
SQ002	1/4	6.35	1/4	6.35
SQ003	1/2	12.7	1/2	12.7
SQ004	1/5	4.76	1/5	4.76
SQ005	2/5	10	2/5	10
SQ006	1/2	12	1/2	12
SQ007	3/5	15	3/5	15
SQ008	3/4	19.05	3/4	19.05
SQ009	4/5	20	4/5	20
SQ010	1	25.4	1	25.4
SQ011	1 1/4	31.75	1 1/4	31.75
SQ012	1 1/2	38	1 1/2	38
SQ013	2	50.8	2	50.8

# SOLID TYPE



## RECTANGLE

PART NO.	OVERALL WIDTH		OVERALL HEIGHT	
	IN	MM	IN	MM
RC001	3/8	9.53	1/8	3.18
RC002	1/4	6.35	7/32	5.56
RC003	1	25.4	1/2	12.7
RC004	3 1/2	88.9	2	50.8
RC005	1/2	12.7	3/8	9.53
RC006	1	25.4	1/8	3.18
RC007	3/4	19.05	1/2	12.7
RC008	1/2	12.7	1/4	6.35
RC009	1	25.4	1/2	12.7
RC010	4/9	11.11	3/8	9.53
RC011	1	25.4	1/2	12.7
RC012	1	25.4	1/8	3.18
RC013	1 1/4	31.75	1/2	12.7
RC014	3	76.2	1/8	3.18
RC015	3/4	19.05	1/8	3.18
RC016	1	25.4	1/2	12.7
RC017	2	50.8	1	25.4
RC018	1/3	7.94	1/4	6.35
RC019	1/2	12.7	1/4	6.35