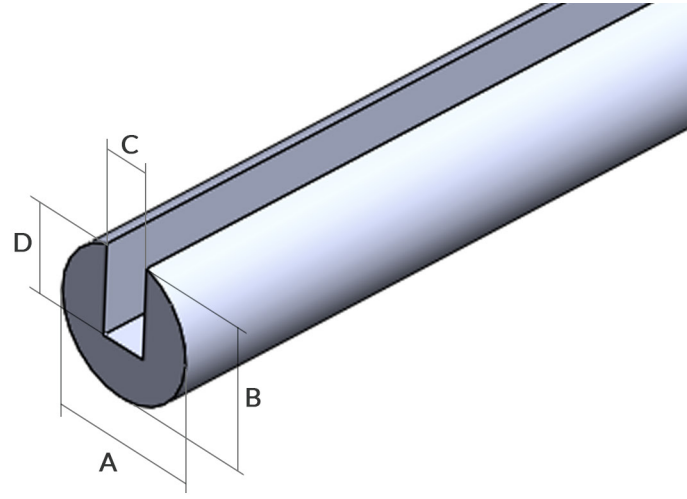
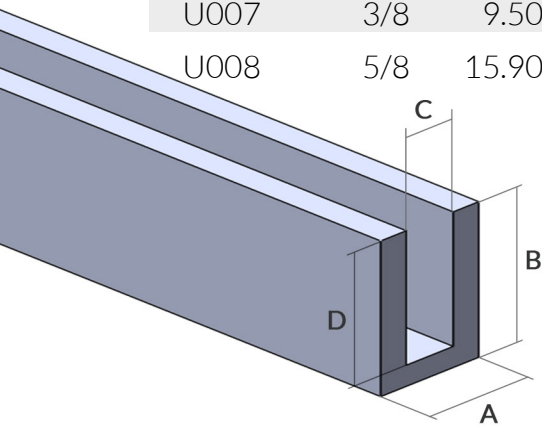


# U-TYPE



## CIRCULAR

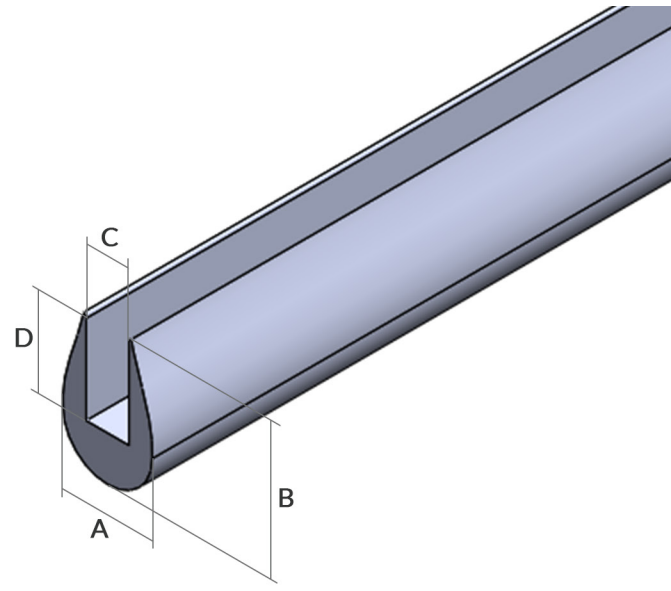
PART NO.	OVERALL WIDTH (A)		OVERALL HEIGHT (B)		GROOVE WIDTH (C)		GROOVE HEIGHT (D)	
	IN	MM	IN	MM	IN	MM	IN	MM
U001	1/2	12.70	1/2	12.70	1/16	1.60	1/16	1.60
U002	1/4	6.40	1/4	6.40	1/16	1.60	3/8	9.50
U003	11/16	17.50	11/16	17.50	3/16	4.80	1/16	1.60
U004	3/8	9.50	3/8	9.50	1/16	1.60	1/16	1.60
U005	15/64	6.00	15/64	6.00	3/32	2.40	3/16	4.80
U006	11/64	4.40	11/64	4.40	1/32	0.80	3/32	2.40
U007	3/8	9.50	3/8	9.50	3/32	2.40	1/16	1.60
U008	5/8	15.90	5/8	15.90	1/16	1.60	3/32	2.40



## RECTANGULAR

PART NO.	OVERALL WIDTH (A)		OVERALL HEIGHT (B)		GROOVE WIDTH (C)		GROOVE HEIGHT (D)	
	IN	MM	IN	MM	IN	MM	IN	MM
U101	7/32	8	5/16	6.4	3/32	5.6	1/4	142.8
U102	5/32	4	5/32	3.2	3/32	4	1/8	102
U103	7/8	6.4	1/4	3.2	5/8	22.3	1/8	568.7
U104	1/8	4.8	3/16	4	1/16	3.2	5/32	81.6
U105	3/8	7.2	9/32	5.6	1/4	9.6	7/32	244.8
U106	1/2	6.4	1/4	4.8	3/8	12.8	3/16	326.4

# U-TYPE



## OVAL

PART NO.	OVERALL WIDTH (A)		OVERALL HEIGHT (B)		GROOVE WIDTH (C)		GROOVE HEIGHT (D)	
	IN	MM	IN	MM	IN	MM	IN	MM
U051	1/8	3	1/6	4	3/76	1	1/8	3
U052	1/6	4.5	2/7	7	1/17	1.5	2/9	5.5
U053	1/4	6.8	1/3	8	6/61	2.5	1/4	6.5
U054	1/7	3.6	2/5	10	1/21	1.2	1/3	8.8
U055	2/7	7.4	3/7	11	6/61	2.5	1/3	9
U056	1/4	6	3/5	15	6/61	2.5	1/2	13.5
U057	1/4	6.8	3/5	15	1/21	1.2	1/2	12.2
U058	2/9	5.7	2/3	17	3/38	2	3/5	15.4
U059	5/9	14	3/4	19	3/19	4	2/3	16.5
U060	1/3	8.4	5/6	21	5/53	2.4	5/7	18
U061	1/5	5.4	48/53	23	3/38	2	5/6	21.3
U062	2/5	10.4	48/53	23	3/38	2	3/4	19
U063	1/5	4.9	1 2/85	26	1/17	1.5	1	24.3
U064	1/5	4.8	1/3	7.9	3/32	2.4	1/4	6.4
U065	1/5	4.8	1/4	6.4	3/32	2.4	1/5	4.8
U066	3/32	2.4	3/32	2.4	1/32	0.8	1/16	1.6
U067	1/4	6.7	4/7	14.3	9/64	3.6	4/9	11.1
U068	1/8	3.2	1/4	6.4	1/32	0.8	1/6	4
U069	1/6	4	1/4	6	1/16	1.6	1/6	4
U070	3/4	19.1	1	25.4	3/16	4.8	4/7	14.3
U071	2/9	5.6	1/3	8.7	1/32	0.8	1/4	6.4
U072	1/5	4.8	3/8	9.5	1/64	0.4	1/4	6.7
U073	1/8	3.2	3/8	9.5	1/16	1.6	1/3	8.3
U074	1/5	4.8	1/2	12.7	1/16	1.6	4/9	11.1