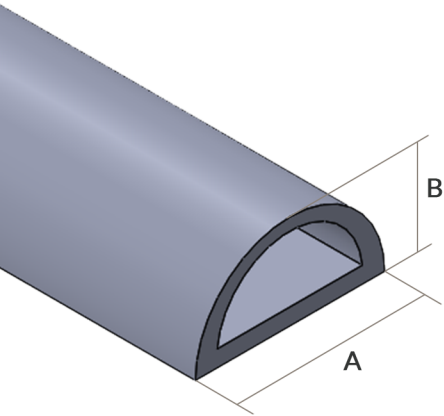
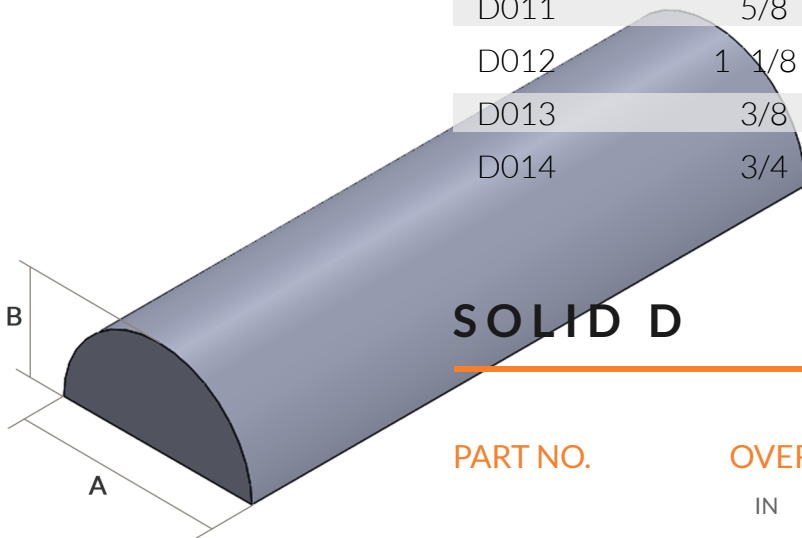


D-TYPE

HOLLOW D



PART NO.	OVERALL WIDTH		OVERALL HEIGHT	
	IN	MM	IN	MM
D001	1/4	6.35	1/4	6.35
D002	19/32	15.88	5/8	15.08
D003	3/8	6.35	1/4	9.53
D004	5/16	4.76	3/16	7.94
D005	5/8	8.73	11/32	15.88
D006	1/2	9.53	3/8	12.7
D007	5/8	8.73	11/32	15.88
D008	29/32	11.91	15/32	23.02
D009	1 1/2	38.1	1 1/2	38.1
D010	1 1/8	23.81	15/16	28.58
D011	5/8	12.7	1/2	15.88
D012	1 1/8	19.05	3/4	28.58
D013	3/8	4.76	3/16	9.53
D014	3/4	9.53	3/8	19.05



SOLID D

PART NO.	OVERALL WIDTH		OVERALL HEIGHT	
	IN	MM	IN	MM
D051	1/8	3.18	3/16	4.76
D052	3/8	9.53	3/8	9.53
D053	15/16	23.81	1	25.4
D054	11/16	17.46	3/8	9.53
D055	3/8	9.53	7/16	11.11
D056	11/16	17.46	3/4	19.05
D057	5/16	7.94	3/8	9.53
D058	17/32	13.49	1/4	6.35