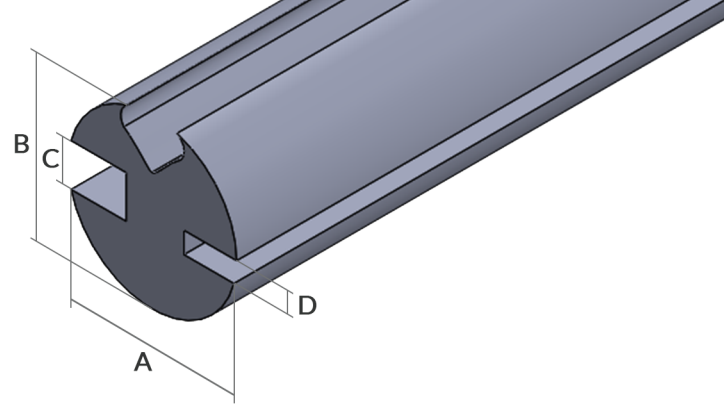
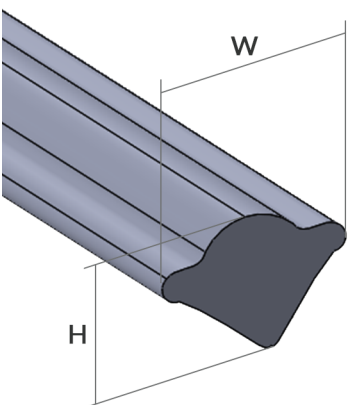


H-TYPE



H-TYPE

PART NO.	OVERALL WIDTH (A)		OVERALL HEIGHT (B)		GROOVE WIDTH (C)		GROOVE WIDTH (D)	
	IN	MM	IN	MM	IN	MM	IN	MM
H001	4/7	14.5	1/2	12.5	1/8	3	1/20	1.2
H002	7/8	22	2/3	17.5	1/8	3	1/8	3
H003	7/8	22	3/4	19	1/5	4.75	3/50	1.6
H004	7/8	22	2/3	17	1/5	5	3/50	1.6
H005	7/8	22	2/3	17	1/5	5	1/8	3
H006	1	25	2/3	16.7	1/5	5	1/8	3
H007	5/6	21	2/3	17.5	1/5	5	1/5	5
H008	1	26	5/7	18	1/4	6	3/50	1.6
H009	1 1/4	31.5	8/9	22.5	1/4	6	1/10	2.6
H010	1 1/2	38	1	27	1/4	6	1/8	3
H011	1 3/7	36	8/9	22.5	1/4	6	1/8	3
H012	1	24	4/5	20	1/4	6	1/5	5
H013	1	25	4/5	20	1/4	6	1/4	6
H014	1	26	2/5	10	2/5	10	1/5	5
H015	1 1/9	28	1	25	2/5	10	1/4	6
H016	1	26	1 1/9	28	1/2	12	1/4	6
H017	1 1/4	32	1 3/8	35	4/5	20	1/4	6



FILLER STRIP

PART NO.	OVERALL WIDTH (W)		OVERALL HEIGHT (H)	
	IN	MM	IN	MM
H051	2/5	10	1/3	8
H052	2/5	10.4	1/3	8.2
H053	3/8	9.5	2/7	7.5
H054	2/7	7.2	2/9	5.7
H055	1/2	13.2	2/5	10