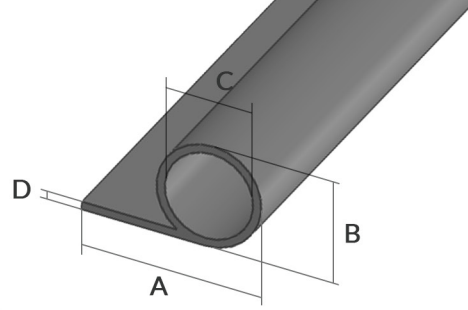
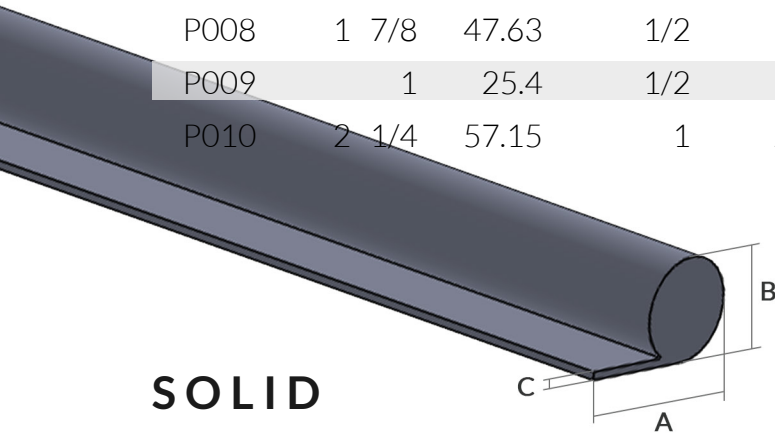


P-TYPE

HOLLOW



PART NO.	OVERALL WIDTH (A)		OVERALL HEIGHT (B)		HOLE DIAMETER (C)		WALL THICKNESS (D)	
	IN	MM	IN	MM	IN	MM	IN	MM
P001	1	25.4	1/4	6.35	5/32	3.97	1/16	1.59
P002	27/32	21.43	5/16	7.94	1/4	6.35	3/64	1.19
P003	7/8	22.23	3/8	9.53	3/32	2.38	1/16	1.59
P004	1 3/16	30.16	5/8	15.88	1/2	12.7	1/16	1.59
P005	1 1/4	31.75	1/2	12.7	3/8	9.53	1/16	1.59
P006	1 1/2	38.1	3/8	9.53	17/64	6.75	1/16	1.59
P007	1 1/4	31.75	3/4	19.05	5/8	15.88	1/16	1.59
P008	1 7/8	47.63	1/2	12.7	3/8	9.53	3/32	2.38
P009	1	25.4	1/2	12.7	3/8	9.53	1/16	1.59
P010	2 1/4	57.15	1	25.4	1/2	12.7	3/16	4.76



SOLID

PART NO.	OVERALL WIDTH (A)		OVERALL HEIGHT (B)		WALL THICKNESS (C)	
	IN	MM	IN	MM	IN	MM
P051	5/8	15.88	3/32	2.38	1/32	0.79
P052	3/8	9.53	7/64	2.78	1/16	1.59
P053	2 1/4	57.15	1/2	12.7	1/4	6.35
P054	5/8	15.88	3/32	2.38	1/32	0.79
P055	1 1/4	31.75	9/16	14.29	1/16	1.59
P056	3 1/16	77.79	5/16	7.94	1/8	3.18
P057	3/8	9.53	7/64	2.78	1/16	1.59
P058	4	101.6	1 3/4	44.45	1/2	12.7
P059	3/4	19.05	1/16	1.59	1/32	0.79
P060	2 1/4	57.15	1/2	12.7	1/4	6.35
P061	1 1/4	31.75	13/64	5.16	3/64	1.19